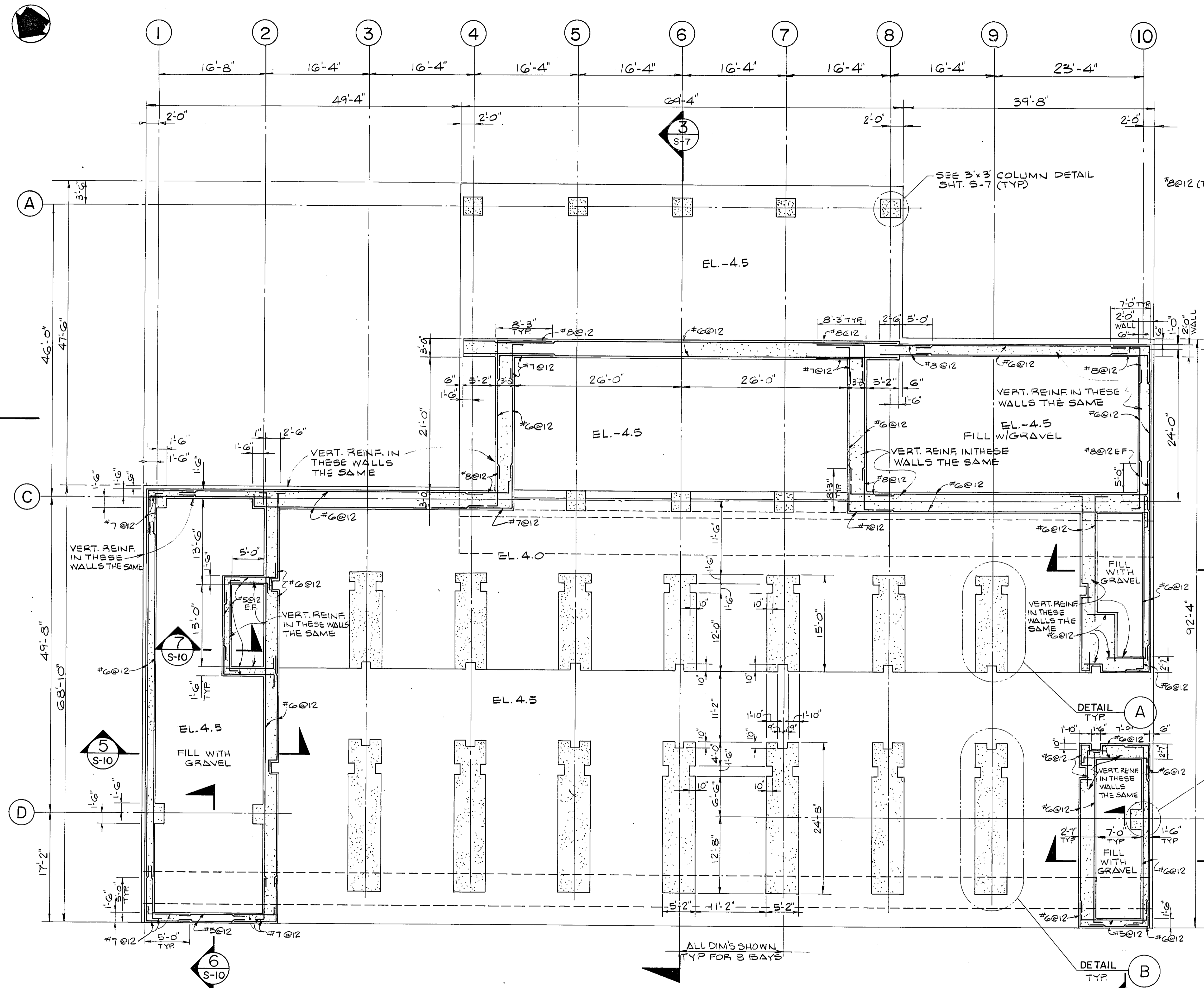
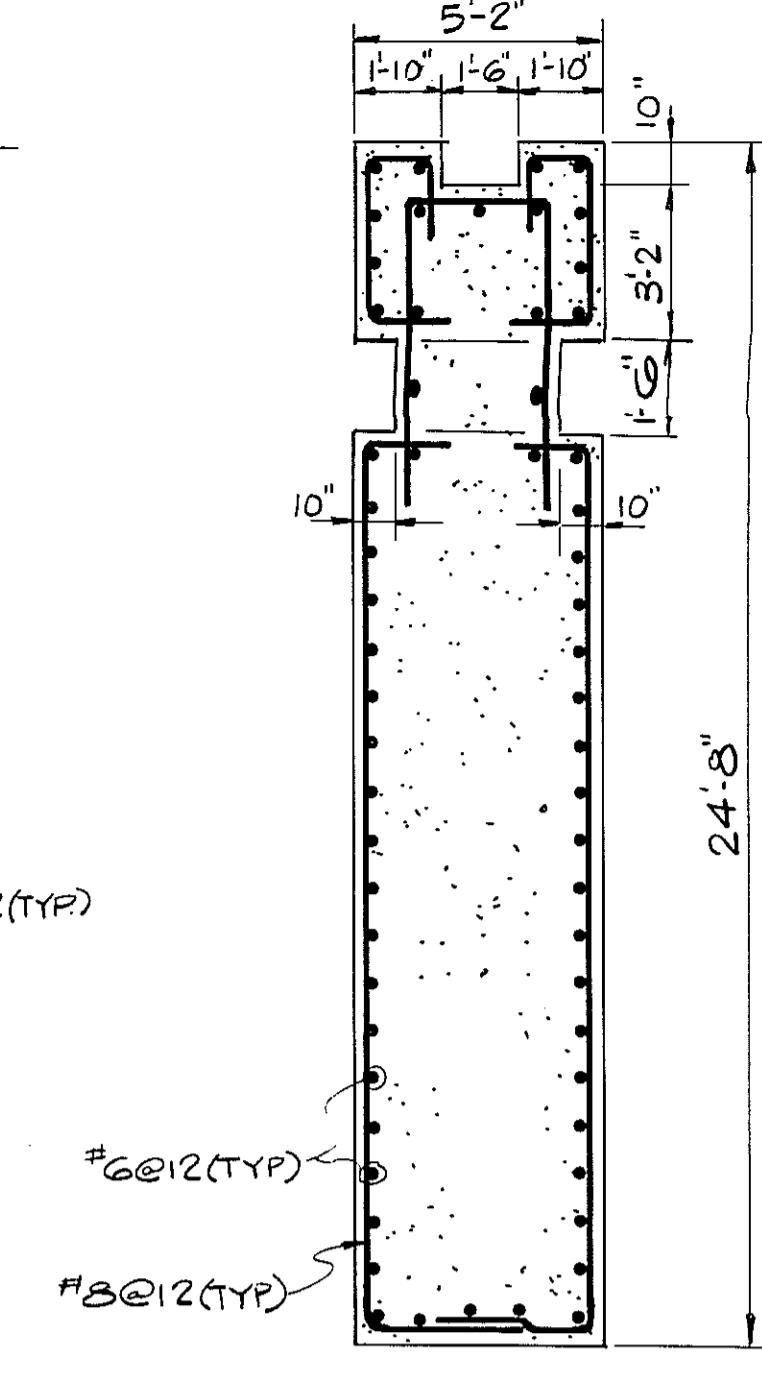


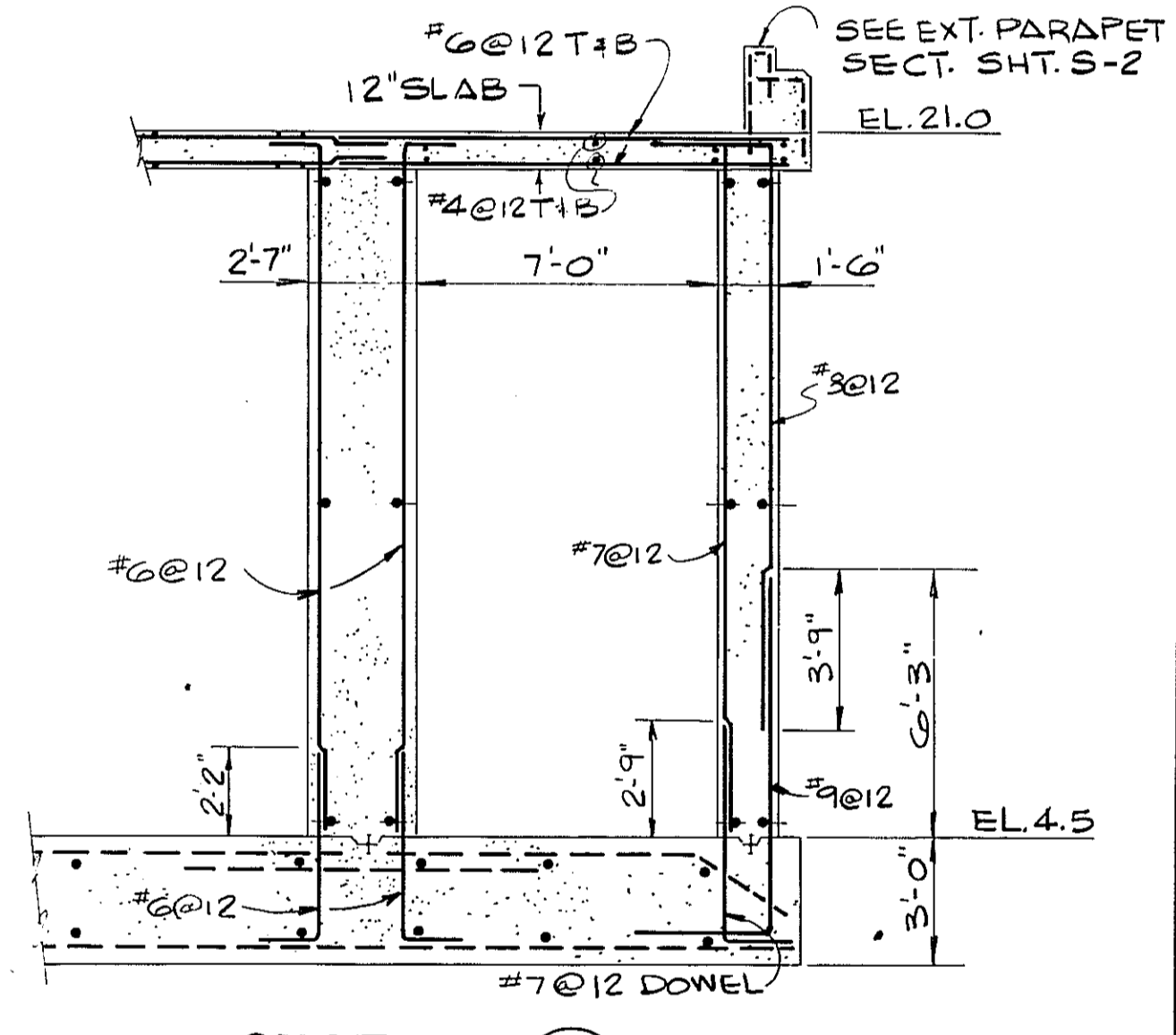
DWG. NO.	1824
DATE	5/1/87
HRS	6
INITIALS	MN
9-15	2
8-2	2
7-15	6
6-2	6
5-15	4
4-2	2
3-15	2
2-2	6
1-15	2
0-2	2
0-15	1
0-2	1



DETAIL A  
SCALE: 1/8" = 1'-0"



DETAIL B  
SCALE: 1/8" = 1'-0"



SECTION 2  
SCALE: 1/8" = 1'-0"

FLOOR PLAN - EL. 4.50  
SCALE: 1/8" = 1'-0"

- NOTE:
1. SEE SHTS S-5 & S-7 FOR BASE SLAB REINFMT.
  2. ALL SPLICES CLASS 'C'
  3. ALLOWABLE SOIL BEARING PRESSURE:  
SLAB @ EL. 4.50 = 3KSF  
SLAB @ EL. 4.50 = 4KSF
  4. FOR LOCATION OF EMBEDDED ALUMINUM RUNGS SEE SHEET M-1.

NUMBER	DATE	MADE BY	CHECKED BY	DESCRIPTION

DRAWN BY	M. WITT
DEPT. CHECK	D. BAIR
PROJ. CHECK	J. H. ...

**M&E** METCALF & EDDY

Thomas G. Baxter, PE. 5/1/87

REG. PROF. ENGR. N.J. LIC. NO. 26767

**MANASQUAN RESERVOIR SYSTEM**  
NEW JERSEY WATER SUPPLY AUTHORITY  
NJWSA-MRS-C88002 (I-1)

INTAKE PUMP STATION  
FLOOR PLAN AT EL. 4.50  
STRUCTURAL

JOB NO.	1824
FILE NO.	
SCALE	AS SHOWN
SHEET	S-1