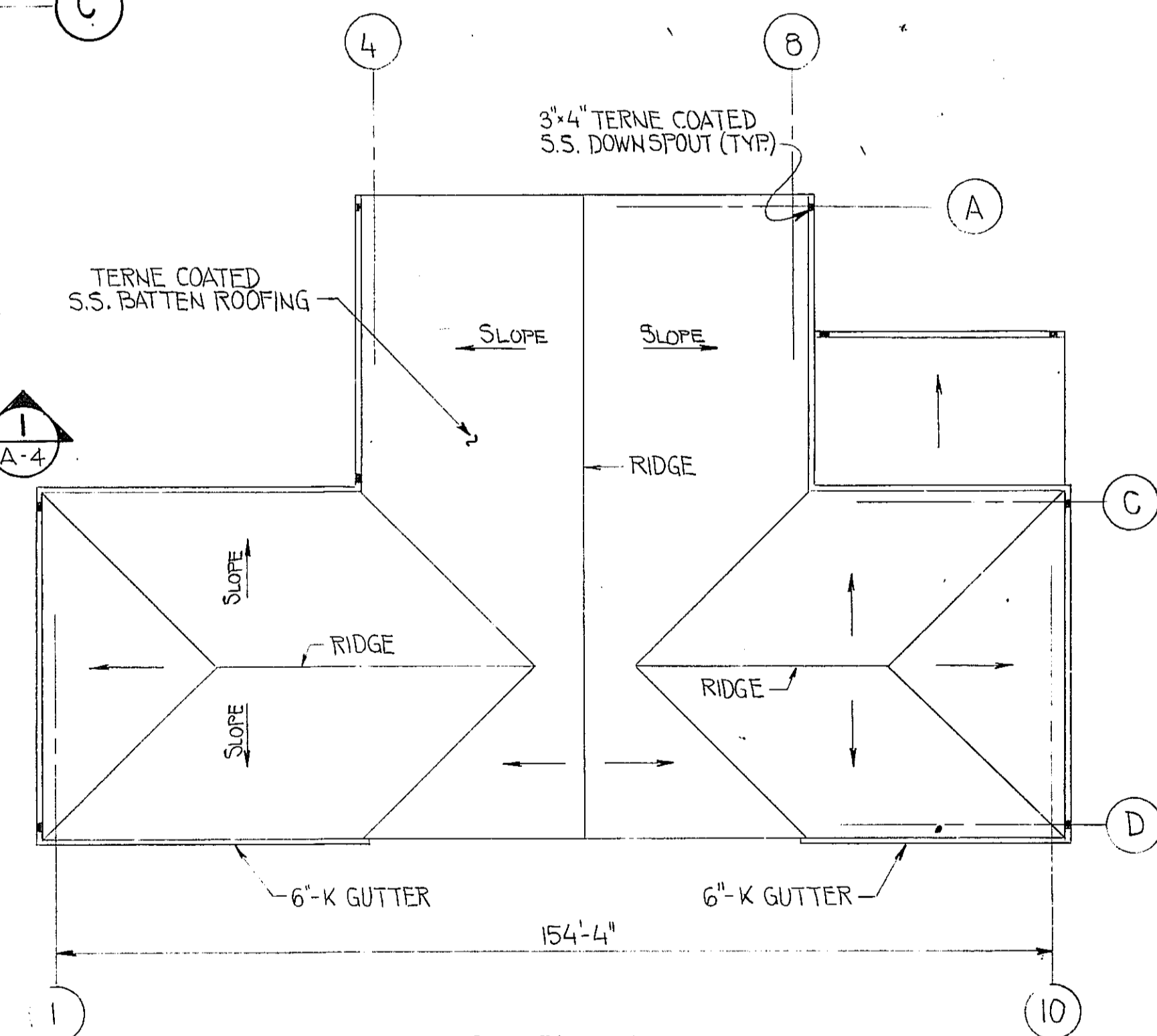
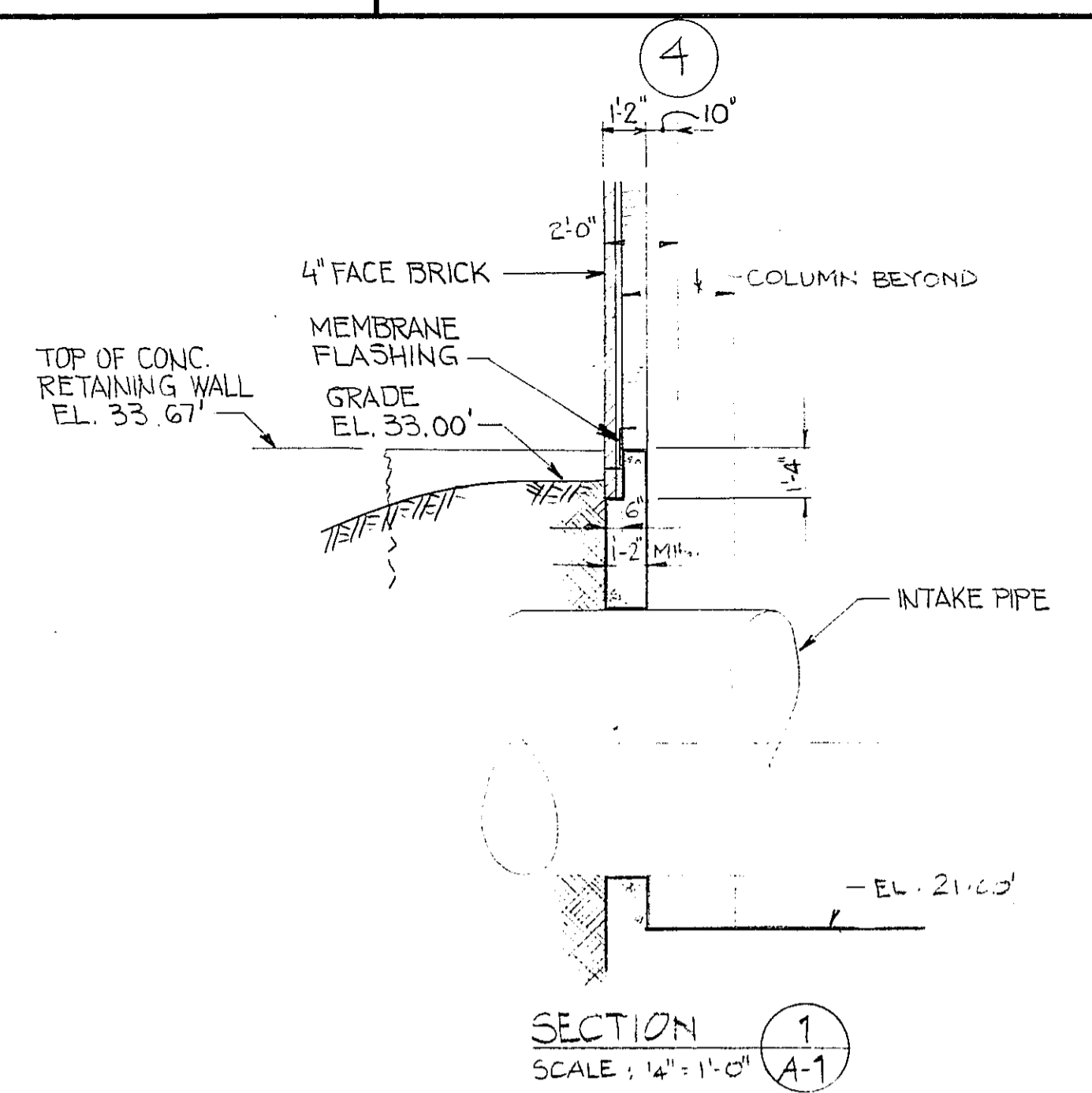


FLOOR PLAN  
SCALE 1/8" = 1'-0"



ROOF PLAN  
SCALE 1" = 20"

NUMBER	DATE	MADE BY	CHECKED BY	DESCRIPTION
REVISIONS				
DRAWN BY		J.H. Brant		
DEPT. CHECK		J.H. Brant		
PRJ. CHECK		J.H. Brant		

**M&E** METCALF & EDDY

THOMAS G. BAXTER, P.E. 5/1/87  
REG. PROF. ENGR. N.J. LIC. NO. 26767

**MANASQUAN RESERVOIR SYSTEM**  
NEW JERSEY WATER SUPPLY AUTHORITY  
NJWSA-MRS-C88002 (I-1) INTAKE FACILITIES  
**INTAKE PUMP STATION**  
FLOOR AND ROOF PLAN  
ARCHITECTURAL

JOB NO.	1824
FILE NO.	
SCALE	AS SHOWN
SHEET	A-1